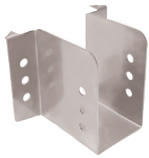


J-VICE®

Joist hangers

Almost install themselves.

J-Vice joist hangers are available in three sizes in either stainless or galvanised options.



JVJH90SS

For use on gauged 47mm wide timber up to 150mm depth.
Use stainless steel option in exterior situations.



**JVJH140GALV
&
JVJH140SS**

For use on gauged 47mm wide timber up to 200mm depth.
Use stainless steel option in exterior situations.



**JVJH190GALV
&
JVJH190SS**

For use on gauged 47mm wide timber up to 300mm depth.
Use stainless steel option in exterior situations.

J-Vice hanger type to be used with joist spans from NZS 3604 tables.

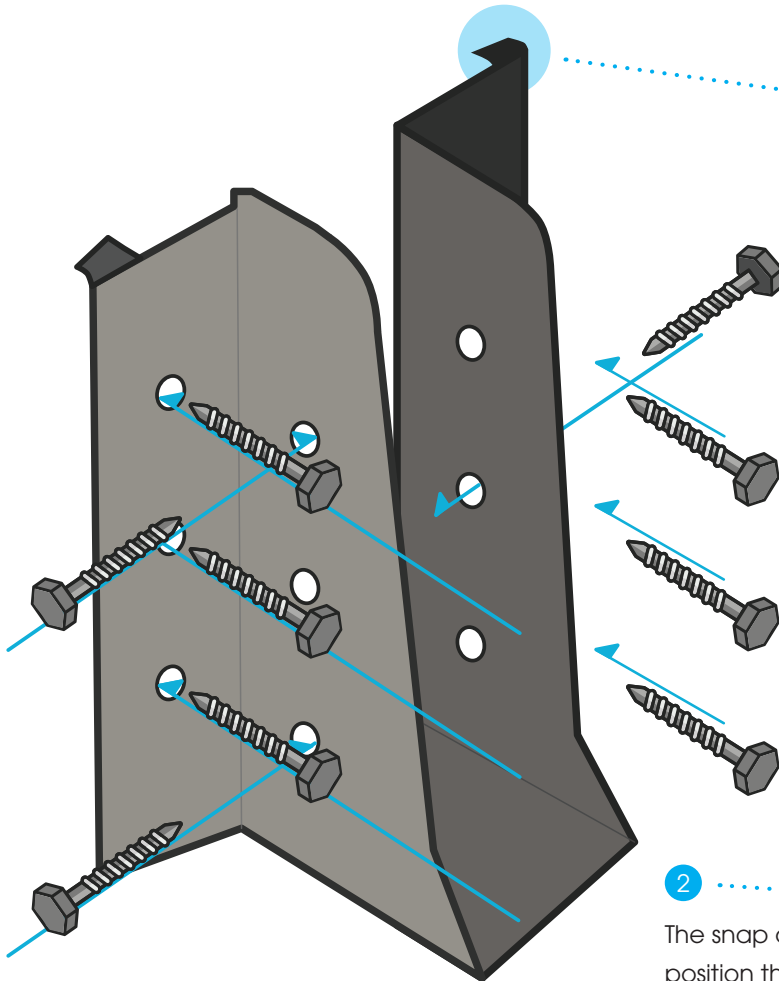
Detailed testing & specifications available on request.

Table number	7.1	7.1	14.8
Imposed load	1.5kPa	2kPa	3kPa
Maximum spacing of joist	450	450	450
Joist size			
90x45	JVJH90	JVJH90	JVJH90
140x45	JVJH140	JVJH140	JVJH140
190x45	JVJH190	JVJH190	JVJH190
240x45	JVJH190	JVJH190	JVJH190
290x45	JVJH190	JVJH190	JVJH190

J-VICE®

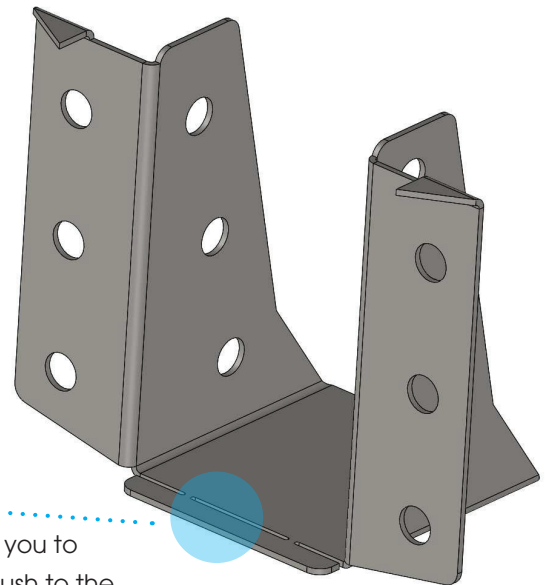
Joist hangers

Almost install themselves.



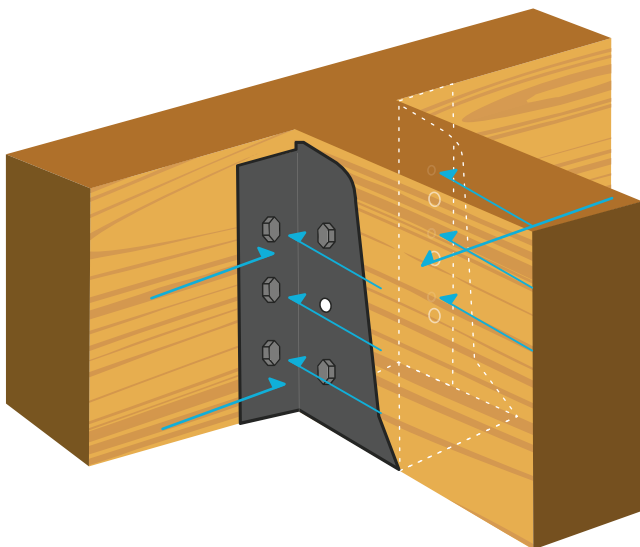
1

The J-Vice teeth allow for a quick install. Simply hold in position, hit the J-Vice teeth into the timber and the J-Vice joist hanger is now fixed in place.



2

The snap off guide allows you to position the joist hanger flush to the bearer every time. Then you can easily insert the joist and screw off.



Screw fixing recommendation.

- Use 3 screws per flange for the bearer (6 total).
- Use 1 screw for one flange, and 2 on opposite flange for the joist (3 total). As shown in diagram.
- Type 17, 14g hex-head stainless-steel screws available in 44mm, 88mm and 125mm.
- Type 17, 14g hex-head galvanised screws available in 44mm.

J-Vice joist hanger patent pending.