

# Southern Lites<sup>®</sup> Semi Frameless Balustrade system



50mm Aluminium Modular System

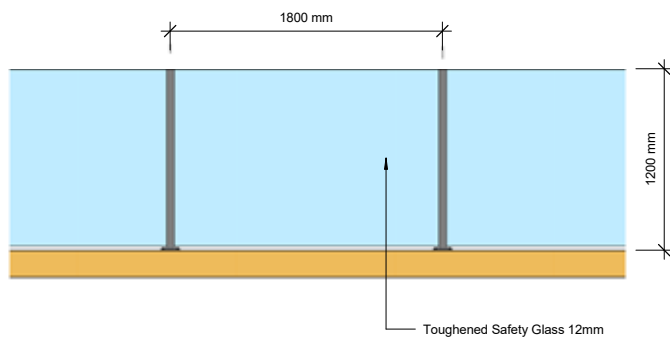
Create a clear vision  
Create a clear vision

GLASS  
VICE<sup>®</sup>

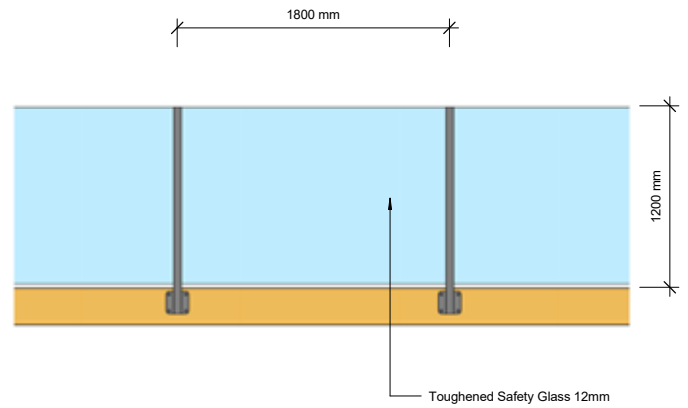


# Pool Fence Elevation

## Top Fixed

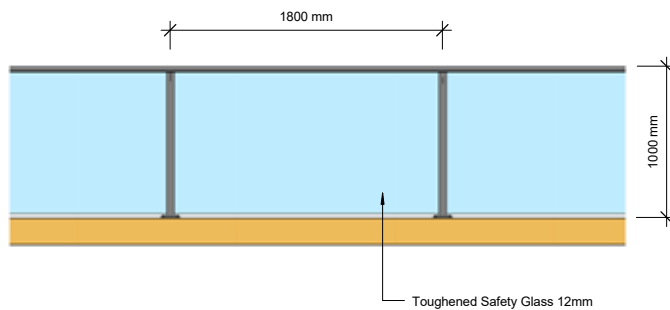


## Side Fixed

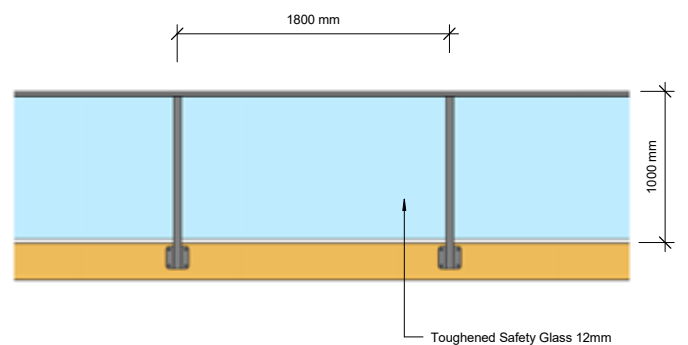


# Balustrade 1000 Elevation

## Top Fixed

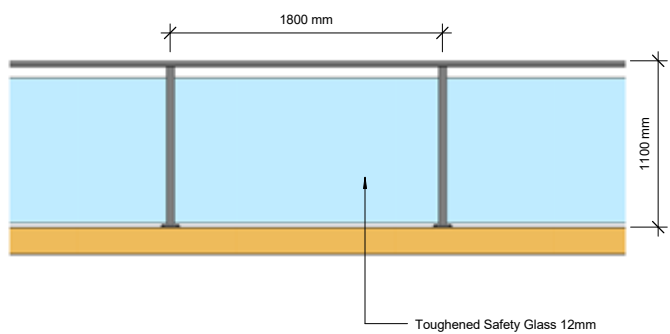


## Side Fixed

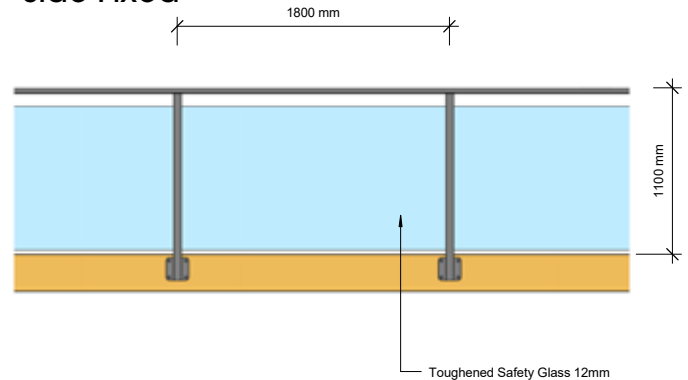


# Balustrade 1100 Elevation

## Top Fixed

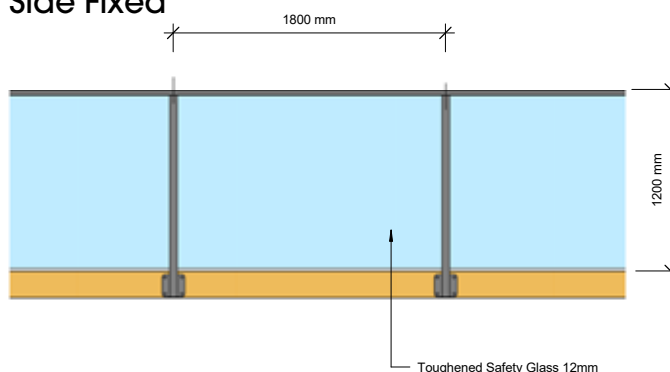


## Side Fixed



# Elevation Balustrade 1200

## Side Fixed



Glass Vice®  
0800 700 797  
[www.glassvice.com](http://www.glassvice.com)

**Office and Showroom:** 24c William Pickering Drive,  
Albany, Auckland

**Phone:** 09 414 6565

**Fax:** 09 414 6575

**Email:** [info@glassvice.com](mailto:info@glassvice.com)

